

SJE MilliAmpMaster™ Control Switches, SJE MicroMaster® AC/DC Pump Switch, and SJE MicroMaster® Plus WS Pump Switch Installation Instructions

These mechanically-activated switches provide automatic control for AC and DC applications in water and sewage applications.

SJE MILLIAMPMASTER™ (narrow-angle version)



Mechanically-activated control switch for:

- Low current, non-arcing applications down to 0.160 mA at 125 VAC
- Water
- Sewage application
- Control differential of 1.5 inches above or below horizontal with 3.5 inch tether

SJE MILLIAMPMASTER™ (wide-angle version)



Mechanically-activated control switch for:

- Low current, non-arcing applications down to 0.160 mA at 125 VAC
- Water
- Sewage application

| | | | | | | | |
|------------------------|----------------|-----------|-----------|-----------|-----------|-----------|---------------|
| tether length (inches) | 3.5 min | 6 | 9 | 12 | 15 | 18 | 22 max |
| pumping range (inches) | 8 | 11 | 15 | 21 | 28 | 31 | 36 |

SJE MICROMASTER® AC/DC



Mechanically-activated pump and control switch for:

- Battery backup pumps
- Arcing loads
- Water
- Sewage applications

| | | | | | | | |
|------------------------|----------------|-----------|-----------|-----------|-----------|-----------|---------------|
| tether length (inches) | 3.5 min | 6 | 9 | 12 | 15 | 18 | 22 max |
| pumping range (inches) | 8 | 11 | 15 | 21 | 28 | 31 | 36 |

SJE MICROMASTER® PLUS WS



Mechanically-activated pump switch for:

- Water
- Sewage applications

| | | | | | | | |
|------------------------|----------------|-----------|-----------|-----------|-----------|-----------|---------------|
| tether length (inches) | 3.5 min | 6 | 9 | 12 | 15 | 18 | 22 max |
| pumping range (inches) | 8 | 11 | 15 | 21 | 28 | 31 | 36 |

PREVENTATIVE MAINTENANCE

- Periodically inspect the product. Check that the cable has not become worn or that the housing has not been damaged so as to impair the protection of the product. Replace the product immediately if any damage is found or suspected.
- Periodically check to see that the float is free to move and operate the switch.
- Use only SJE Rhombus® replacement parts.

SJE RHOMBUS® FIVE-YEAR LIMITED WARRANTY

Five-Year Limited Warranty. For complete terms and conditions, please visit www.sjerrhombus.com.

NOTICE!

Products returned must be cleaned, sanitized, or decontaminated as necessary prior to shipment to ensure that employees will not be exposed to health hazards in handling said material. All applicable laws and regulations shall apply.

⚠ WARNING**ELECTRICAL SHOCK HAZARD**

Disconnect power before installing or servicing this product. A qualified service person must install and service this product according to applicable electrical and plumbing codes.

⚠ WARNING**EXPLOSION OR FIRE HAZARD**

Do not use with flammable liquids. Install in accordance with ANSI/NFPA 70. Suitable for usage with intrinsically safe circuit extensions as defined by UL 698A.

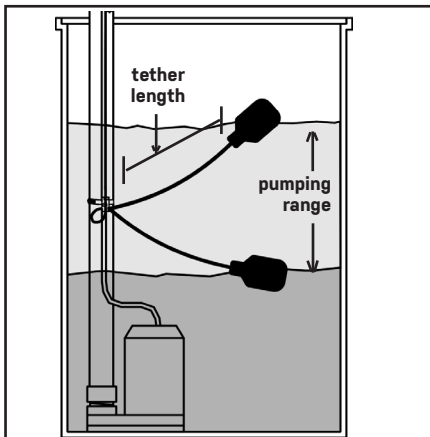
Failure to follow these precautions could result in serious injury or death. Replace product immediately if switch cable becomes damaged or severed. Keep these instructions with warranty after installation. This product must be installed in accordance with National Electric Code, ANSI/NFPA 70 so as to prevent moisture from entering or accumulating within boxes, conduit bodies, fittings, float housing, or cable.

For detailed specifications on this product, or for the complete line of SJE Rhombus® panel, alarm, and switch products, visit our website at www.sjrhombus.com.

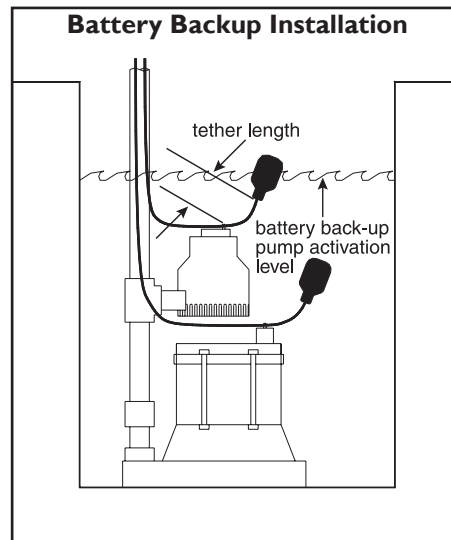
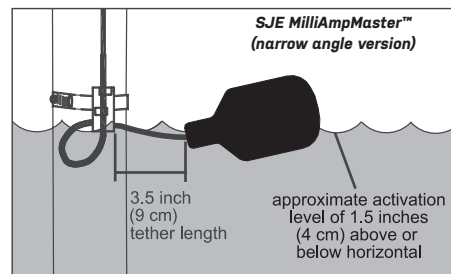
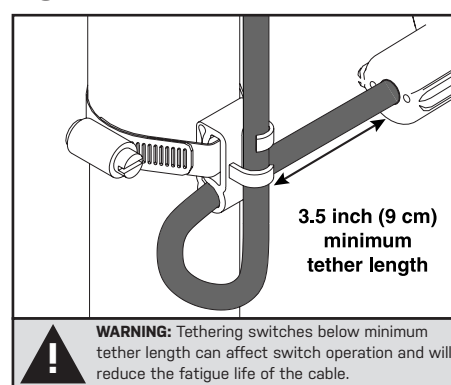
MOUNTING THE SWITCH

- Determine the required cord tether length according to product specifications on the front page and as shown in Figure A, B & C.
- Place the cord into the clamp as shown in Figure D.
- Locate clamp at desired activation level and secure the clamp to the discharge pipe as shown in Figure D.
Note: Do not install cord under hose clamp.
- Tighten the hose clamp using screwdriver. Over tightening may result in damage to the plastic clamp. Make sure the float cable is not allowed to touch the excess hose clamp band during operation.
- Wire switch as shown in the wiring diagrams.
- Check installation. Allow system to cycle to insure proper operation.

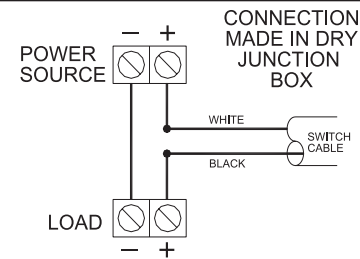
Note: All hose clamp components are made of 18-8 stainless steel material. See your SJE Rhombus® supplier for replacements.

Figure A

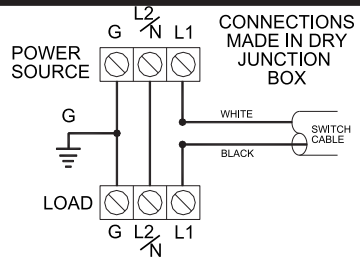
Due to weight of cable, pumping range above horizontal is NOT equal to pumping range below horizontal. Use values published on front page as a guide. Pumping ranges are based on testing in non-turbulent conditions. Range may vary due to water temperature and cord shape. Note: As the tether length increases, so does the variance of the pumping range.

Figure B**Figure C****Figure D**

WARNING: Tethering switches below minimum tether length can affect switch operation and will reduce the fatigue life of the cable.

DC Wiring Diagram**Normally Open and Normally Closed****⚠ WARNING**

Ensure cable connections are performed in a **dry** junction box or other watertight seal that seals both conductors and cable jacket. Failure to do so could result in electrical shock hazard and/or water traveling down cable and entering the switch. Failure to guard against this may affect switch performance.

AC Wiring Diagram**Normally Open and Normally Closed****⚠ WARNING**

In 230 VAC installations, one side of the line going to the load is always **HOT**. This condition exists if the switch is on or off. Install double pole disconnect on all 230 VAC circuits.

Ensure cable connections are performed in a **dry** junction box or other watertight seal that seals both conductors and cable jacket. Failure to do so could result in electrical shock hazard and/or water traveling down cable and entering the switch. Failure to guard against this may affect switch performance.



Technical Support: +1 800-746-6287

techsupport@sjrhombus.com

www.sjrhombus.com

Technical Support Hours: Monday - Friday, 7 A.M. to 6 P.M. Central Time

PN 1038253H 12/19

© 2019 SJE, Inc. All Rights Reserved. SJE RHOMBUS is a trademark of SJE, Inc.