

TankAlert® AB Indoor Alarm

Auxiliary Contacts Wiring Instructions



WARNING!



ELECTRICAL SHOCK HAZARD

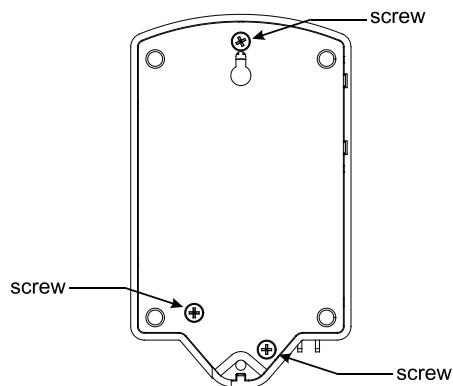
Disconnect all power sources before servicing. Failure to do so could result in serious injury or death. Must be installed by a licensed electrician and in accordance with the National Electric Code NFPA-70, state and local electrical codes.

Auxiliary Contacts Specifications

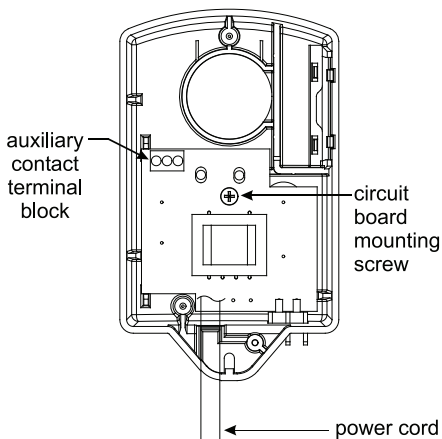
Voltage: 120 VAC
Current: 5 amps max. N/O
 3 amps max. N/C

NOTE: This unit includes auxiliary contact option. Due to increased power consumption, if an alarm condition occurs while on battery backup power, this option will reduce the life of the battery.

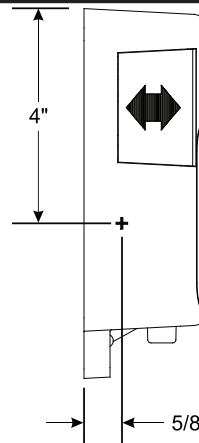
1. Remove enclosure screws and back cover.



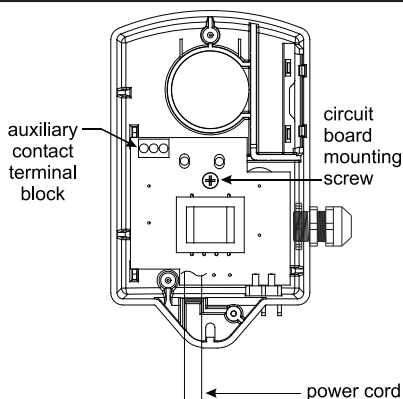
2. Remove screw, circuit board, and power cord.



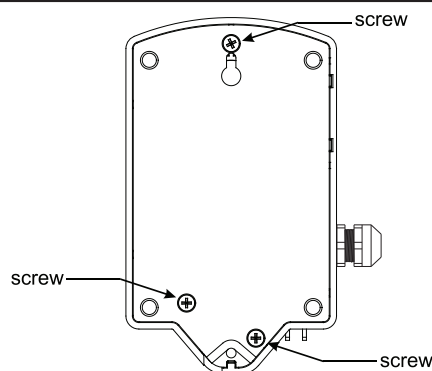
3. Drill hole and install strain relief (not included).



4. Replace circuit board, power cord, and screw. Connect wires to terminal block for auxiliary contacts.



5. Replace back cover and screws.



+1-800-746-6287

E-mail: techsupport@sjeinc.com

www.sjerrhombus.com

Technical Support Hours: Monday - Friday, 7 A.M. to 6 P.M. Central Time

PN 1011689D 10/19 ©2019 SJE, Inc. All Rights Reserved. SJE RHOMBUS is a trademark of SJE, Inc.