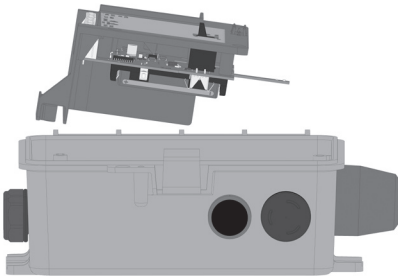
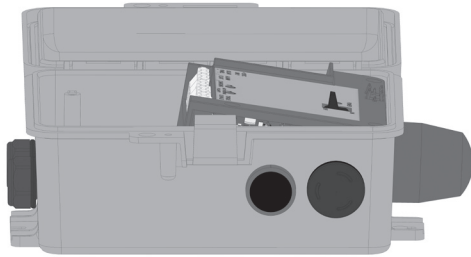
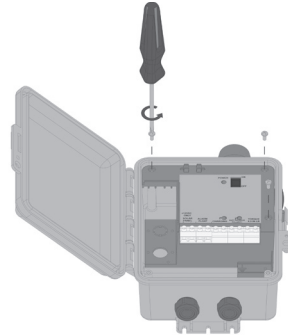


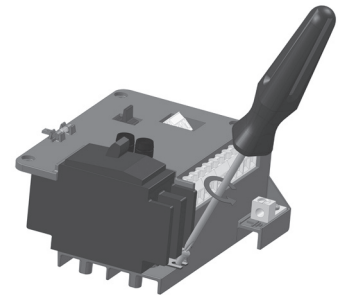
CIRCUIT BOARD/BATTERY REPLACEMENT INSTALLATION INSTRUCTIONS

Replacing a Tank Alert Solar Circuit Board

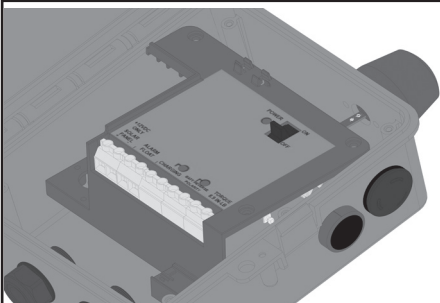
1. Disconnect all power sources.
2. Label and remove wires connected to solar panel and float switch.
3. Remove the three screws holding the interior plastic bracket. The screws will be reused to secure the replacement circuit board assembly.



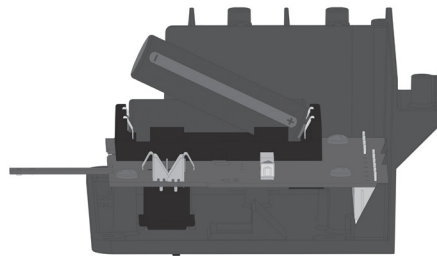
4. Remove the bracket assembly by pulling the bottom edge first and rotating the assembly, being careful not to damage the beacon circuit which is inserted into the beacon lens.



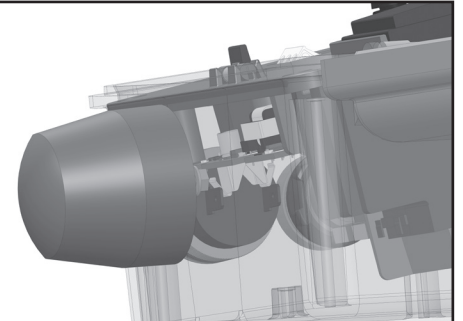
5. Remove the screw on the lower right corner of the circuit breaker and rotate the circuit breaker so as to expose the wiring terminals on top of the breaker.



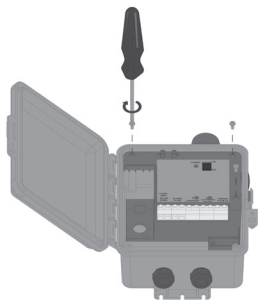
6. Remove the wires from the top of the circuit breaker and reassemble on the replacement assembly in the reverse order.



6. Remove the wires from the top of the circuit breaker and reassemble on the replacement assembly in the reverse order.



7. Insert the replacement assembly into the enclosure by first carefully inserting the beacon circuit into the beacon lens and rotating the assembly into its original position.



8. Secure the replacement assembly to the enclosure using the original screws.
9. With the replacement assembly installed, reinstall the field wiring in the same order as the previously installed.

**Verify proper charging and alarm after installation is complete.
For field support, please call 1-800-RHOMBUS (1-800-746-6287).**



Technical Support: +1 800-746-6287
techsupport@sjerhombus.com
www.sjerhombus.com

Technical Support Hours: Monday-Friday, 7 A.M. to 6 P.M. Central Time