

# EZ Series® Plugger Control Panel Installation Instructions



## Installing the EZ Series® Plugger Control Panel

**This control panel must be installed and serviced by a licensed electrician in accordance with the National Electric Code NFPA-70, state and local electrical codes.**

**CAUTION:** If control switch cables are not wired and mounted in the correct location, the pump system will not function properly.

**WARNING:** Turn off all power before installing floats in pump chamber. Failure to do so could result in serious or fatal electrical shock.

1. Determine where the post will be placed.
2. Drill access hole for incoming cords (ie: pump, pump switch, and alarm float).  
**NOTE:** Holes are predrilled when panel is ordered with optional post. Use conduit and connectors as required.
3. Route pump, pump switch, and alarm float cords through access hole as shown in Figure A. You must use conduit sealant to prevent moisture or gases from entering the panel.
4. Route the incoming power cable(s) as shown in Figure A.

5. Use a conduit sealant to prevent moisture or gases from entering the panel.

**WARNING: Failure to seal cable entry properly could cause premature failure of the control panel.**

6. Route power cable(s) through conduit hole in enclosure and install wires as shown in Figure A.  
**NOTE:** Separate power for pump and alarm are recommended.
7. Plug pump switch (if applicable) and pump into receptacle inside panel. Plug the pump cable into the pump switch piggyback plug as shown in Figure B.
8. Attach alarm float auxiliary contacts (optional) or dual alarm (optional) to terminal block as shown on terminal block label inside the panel or schematic.
9. Test EZ Series® Plugger control panel (see page 2).
10. Back fill pedestal hole as shown in Figure A.

Figure A

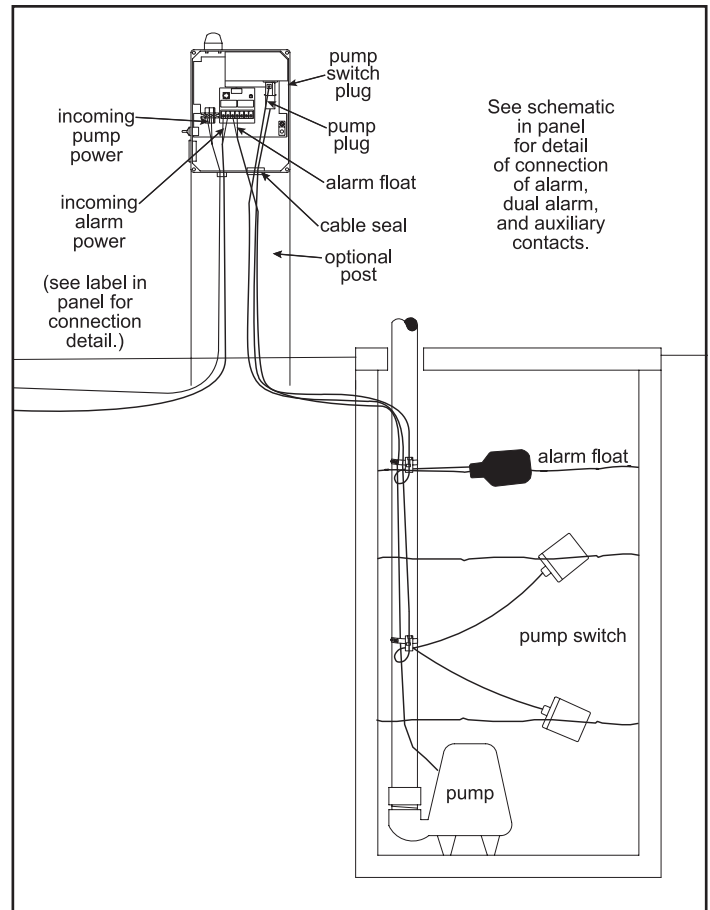
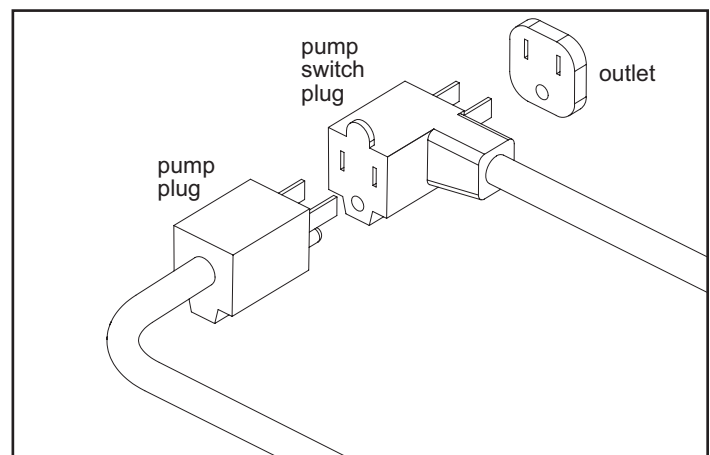


Figure B



Technical Support: +1 800-746-6287  
techsupport@sjerhombus.com  
[www.sjerhombus.com](http://www.sjerhombus.com)

Technical Support Hours: Monday - Friday, 7 A.M. to 6 P.M. Central Time

# Installation Instructions

## Testing the EZ Series® Plugger Panel

1. Turn on power to system.
2. Move the test/normal/silence switch to the test position. The horn should sound and the alarm light will illuminate.
3. Place test/normal/silence switch back to normal.
4. Lift alarm float. The horn should sound and the alarm light will illuminate.
5. Move the test/normal/silence switch to the **silence** position. Horn should stop.
6. Lower alarm float and move test/normal/silence switch to the **normal** position.
7. Lift pump switch.  
**NOTE:** Verify there is water in the tank so the pump does not run dry.
8. Pump should run.
9. Lower pump switch.
10. Pump should stop running.

## Installation of Floats

**CAUTION:** If control switch cords are not wired and mounted in the correct order, the pump system will not function properly.

**WARNING:** Turn off all power before installing floats in pump chamber. Failure to do so could result in serious or fatal electrical shock.

1. Determine your normal operating level, as illustrated in **Figures 1 & 2**.

2. Mount float switches at appropriate levels as illustrated in **Figure 3**. Be sure that floats have free range of motion without touching each other or other equipment in the basin.
  3. For mounting clamp installation: place the cord into the clamp as shown in **Figure 3**. Locate the clamp at the desired activation level and secure the clamp to the discharge pipe as shown in **Figure 3**.
- NOTE:** Do not install cord under hose clamp.
4. Tighten the hose clamp using a screwdriver. Over tightening may result in damage to the plastic clamp. Make sure the float cord is not allowed to touch the excess hose clamp band during operation.

**NOTE:** All hose clamp components are made of 18-8 stainless steel material. See your SJE Rhombus® supplier for replacements.

### DETERMINING PUMPING RANGE (IN INCHES)

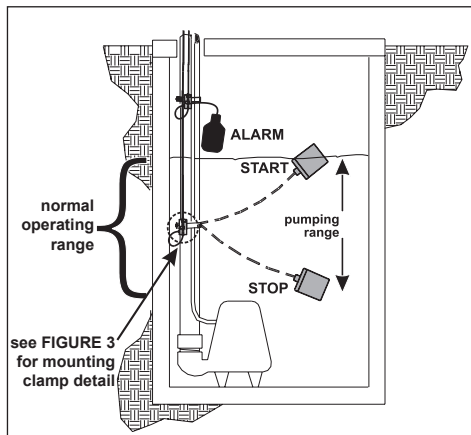
**SJE  
MicroMaster® Plus  
pumping range**

tether length	<b>3.5 min.</b>	<b>6</b>	<b>9</b>	<b>12</b>	<b>15</b>	<b>18</b>	<b>22</b>
pumping range	<b>8</b>	<b>11</b>	<b>15</b>	<b>21</b>	<b>28</b>	<b>31</b>	<b>36</b>

**SJE  
PumpMaster® Plus  
pumping range**

tether length	<b>3.5 min.</b>	<b>6</b>	<b>10</b>	<b>14</b>	<b>18</b>	<b>22</b>	<b>24</b>
pumping range	<b>7</b>	<b>10</b>	<b>16</b>	<b>22</b>	<b>28</b>	<b>33</b>	<b>36</b>

Use only as a guide. Pumping ranges are based on testing in non-turbulent conditions. Range may vary due to water temperature and cord shape. **Note:** As the tether length increases, so does the variance of the pumping range.

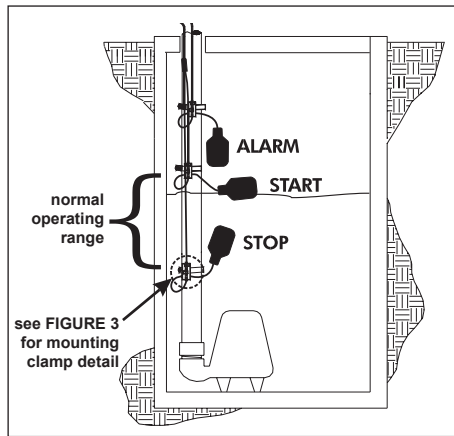


**FIGURE 1**

**Wide angle\* float system**

\*SJE MicroMaster® Plus or  
SJE PumpMaster® Plus

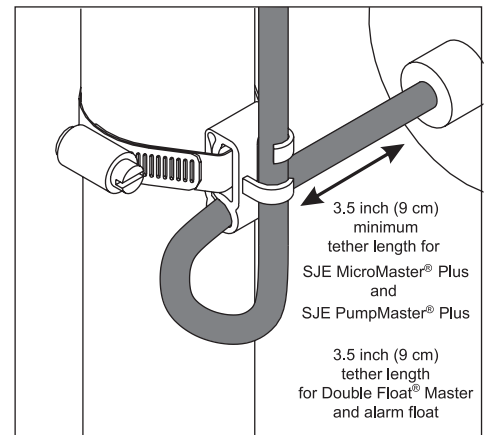
(See chart above to determine pumping range)



**FIGURE 2**

**SJE Double Float® Master system**

**NOTE:** Double Float® Master  
voltage must match  
pump voltage.



**FIGURE 3**

**Mounting clamp detail**

# Troubleshooting



## WARNING!



### ELECTRICAL SHOCK HAZARD

Disconnect all power sources before servicing. Failure to do so could result in serious injury or death.

### Alarm Light and Horn

Moving the test/normal/silence switch to the test position or activating the alarm float should turn on the alarm light and horn.

### Float Controls

Check the floats during their entire range of operation. Clean, adjust, or replace damaged floats.

### Checking the float resistance

The float resistance can be measured to determine if the float is operating correctly or is defective. Use the following procedure to measure the float resistance.

### WARNING: Disconnect incoming power to panel.

1. Isolate the float by disconnecting one or both of the float leads from the float terminals.
2. Place one ohmmeter lead on one of the float wires, and the other ohmmeter lead on the other float wire.
3. Place the ohmmeter dial to read ohms and place on the R X 1 scale. With the float in the "off" position, the scale should read infinity (high resistance). Replace the float if you do not get this reading. With the float in the ON position, the scale should read nearly zero (very low resistance). Replace the float if you do not get this reading.

**NOTE: Readings may vary depending on the length of wire and accuracy of the measuring device.**

## SJE Rhombus® Five-Year Limited Warranty

Five-Year Limited Warranty.

For complete terms and conditions, please visit [www.sjrhombus.com](http://www.sjrhombus.com).

### NOTICE!

Products returned must be cleaned, sanitized, or decontaminated as necessary prior to shipment to ensure that employees will not be exposed to health hazards in handling said material. All applicable laws and regulations shall apply.

