

# SJE VERTICALMASTER® II AND SJE VERTICALMASTER® II PLUS PUMP FLOATS

**Mechanically-activated, pump switches designed to operate in sump applications with limited space.**

These mechanically-activated pump switches are designed to operate in non-potable water with limited space. They work well in small sump chambers and laundry trays, as well as in large tanks. These switches are not recommended for a sewage environment.

These switches not sensitive to turbulence.

**Available for pump down applications only.**



## SPECIFICATIONS

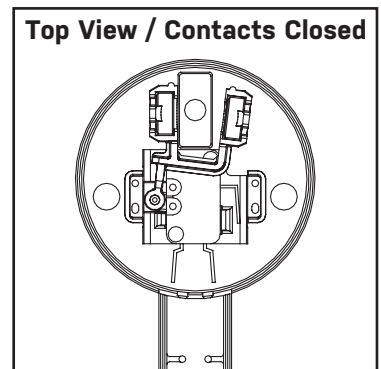
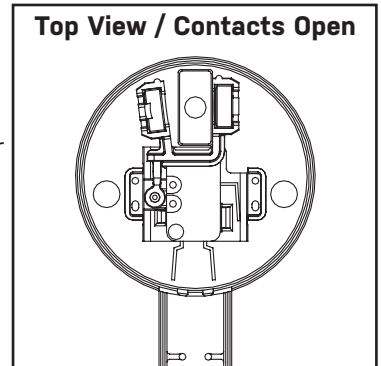
- Flexible SJTOW, SJTW cable
- Stainless steel mounting bracket and hose clamp
- Acetal plastic lift rod
- Neoprene float stop
- High impact, corrosion resistant, PVC float and switch housing
- Temperature rating up to 52° C (125° F)
- IPX7 enclosure protection
- Suitable for Category II installations
- Protected by double-insulation
- Adjustable pumping range 2 cm to 17 cm (0.75 inches to 6.5 inches)
- Dimensions:

**Overall dimensions:** 30.5 cm high x 12.7 cm x 7.6 cm wide (12 inch high x 5 inch x 3 inch wide)

**Switch housing dimensions** (excluding cable entrance): 5 cm high x 7.1 cm diameter (2 inch high x 2.8 inch diameter)

**Float housing dimensions:** 6.4 cm high x 6.9 cm diameter (2.5 inch high x 2.7 inch diameter)

- CE Certified units available by request **CE**
- Must be used with pumps that provide integral thermal overload protection



## MODEL SPECIFIC SPECIFICATIONS

SJEVERTICALMASTER® II pump float		
Voltage 50 Hz/60 Hz Single Phase	Maximum Pump Running Current	Maximum Pump Starting Current
125/250 VAC	10 amps	60 amps
Cable:	18 gauge, 2 conductor	

SJE VERTICALMASTER® II PLUS pump float		
Voltage 50 Hz/60 Hz Single Phase	Maximum Pump Running Current	Maximum Pump Starting Current
125/250 VAC	13/12 amps	78/72 amps
Cable:	16 gauge, 2 conductor	

Pump Floats



**SJE RHOMBUS®**

Phone: +1 218 847 1317  
email: customer.service@sjeinc.com

**SEE BACK SIDE FOR COMPLETE LISTING OF AVAILABLE OPTIONS.**

**www.sjerrhombus.com D.15**

# SJE VERTICALMASTER® II AND SJE VERTICALMASTER® II PLUS PUMP FLOATS

Mechanically-activated, pump switches designed to operate in sump applications with limited space.

## ORDERING INFORMATION

SJE VERTICALMASTER® II Pump Float			
PART NUMBER Pump Down Only	DESCRIPTION		SHIPPING WEIGHT
	Cable Length	Plug Configuration	
1009991	3 Meters	No Plug	0.75 kg
1009992	5 Meters	No Plug	0.94 kg
1009993	6 Meters	No Plug	1.07 kg
1009994	10 Meters	No Plug	1.38 kg

SJE VERTICALMASTER® II PLUS Pump Float			
PART NUMBER Pump Down Only	DESCRIPTION		SHIPPING WEIGHT
	Cable Length	Plug Configuration	
1023398	3 Meters	No Plug	0.75 kg
1023399	5 Meters	No Plug	0.94 kg
1023400	6 Meters	No Plug	1.07 kg
1023401	10 Meters	No Plug	1.38 kg

Pump Down is normally open contacts for emptying.  
SEE INTERNATIONAL PRICE BOOK FOR LIST PRICING.

## OPTIONS

**Mounting Bracket and Hose Clamp are standard**

**Boxed Packaging is standard** - Bulk packaging is not available.

**Piggy-Back Plug** - North American standard plug. Please contact the factory.

**CE Certified units available upon request.**



**SJE RHOMBUS®**

www.sjerrhombus.com

customer.service@sjeinc.com